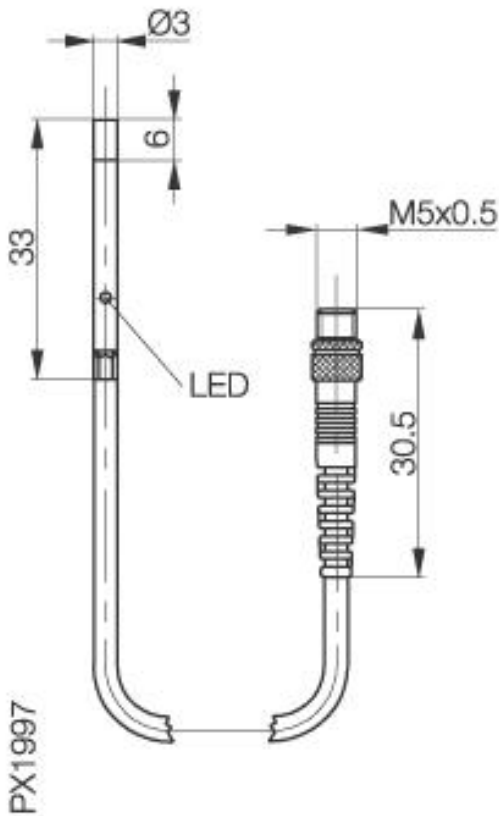


Inductive Sensors
BES 516-3048-G-E4-C-S26-00,3
D3 x 33
normally-open
Sn=3mm
unshielded



Common Data

Mounting in steel	unshielded
Rated operating distance Sn	3mm
Assured operating distance Sa	0...2,3mm
Function indication	yes
Ambient temperature range	0...+70°C

Mechanical Data

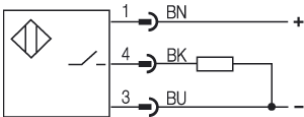
Measurements BxHxT or DxT	D3 x 33mm
Housing material	stainless steel
Material of sensing face	POM
Degree of protection	IP67IP
Connection	Cable with Connector
Cable type	LifY-11Y-O
Shock: Halfsinus, 30 gn, 11ms	
Vibration: 55 Hz, 1mm Amplitude, 3 x 30 Minutes	

Electrical Data

Current type	DC
Wiring	3-Wire
switching function	normally-open
Output signal	PNP
Rated operational voltage	24 DCV
Rated operational current	50mA
Supply voltage	21,6...26,4 DCV
max. switching frequency	2000Hz
No-load supply current	≤ 12mA
Off-state current	≤ 80µA
Voltage drop	≤ 3V
Short circuit protection	yes
Protected against polarity reversal	yes

Remarks

Mounting Instructions 825357



Utilization categories
 Insulation class

Datasheet number:

Definitions see general catalog.
 If not otherwise noted, ratings according to
 IEC 60947-5-2 (DIN EN60947-5-2)

Balluff GmbH
 Schurwaldstrasse 9
 73765 Neuhausen a.d.F.
 Phone (07158) 173-0 Fax (07158) 5010

Datenblatt by CD-ROM - 04/2007

BALLUFF
 sensors worldwide